

WP-XXXM/G3-72H-V

High Efficiency Monocrystalline PERC Solar Module

Mono PERC Module

144 CELL

Power Output Range

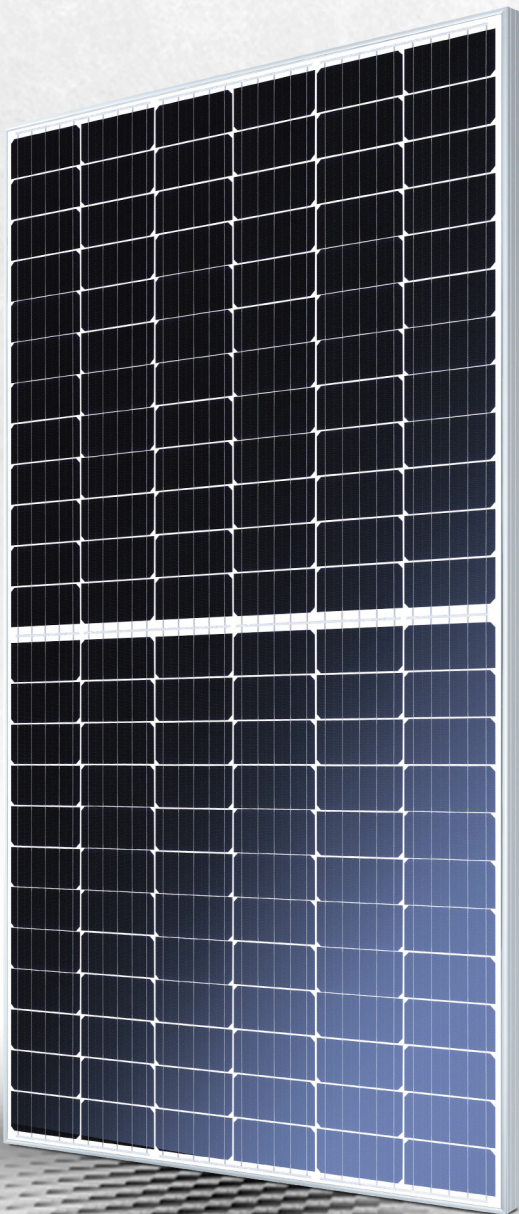
395-410W

Maximum System Voltage

1500V DC

Maximum Efficiency

20.38%



OUTSTANDING PRODUCT PERFORMANCE

- Cutting-edge half-cut technology
- High power output, reaching 410W with module efficiency up to 20.38%
- Reduce hot spot risk and power loss with lower working temperature
- Low power loss under shading conditions



CERTIFIED TO STAND EXTREME WEATHER CONDITIONS

- 5400Pa snow load maximum
- 2400Pa wind load maximum



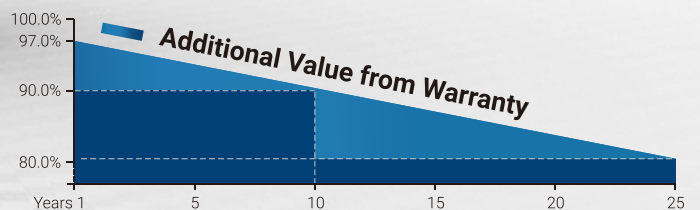
A BETTER INVESTMENT CHOICE

- Higher power output with up to 1500V DC design to bring higher energy yield, saving BOS cost
- Inclusive 12 years product warranty and 25 year performance warranty



HIGH RELIABILITY DUE TO RIGOROUS QUALITY CONTROL

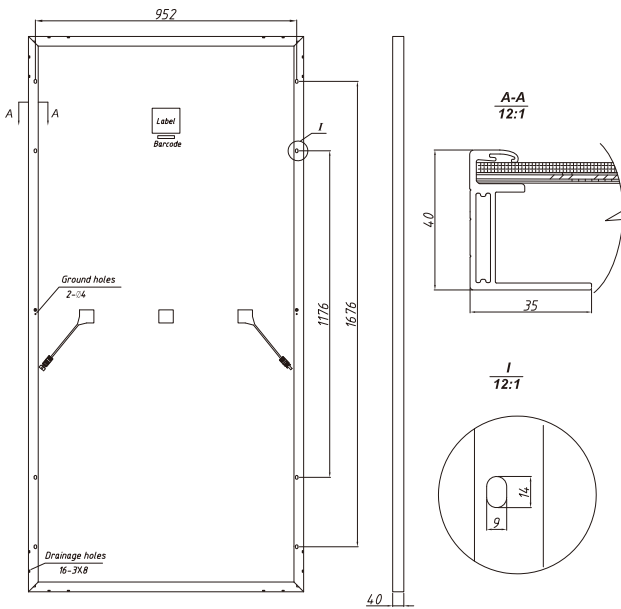
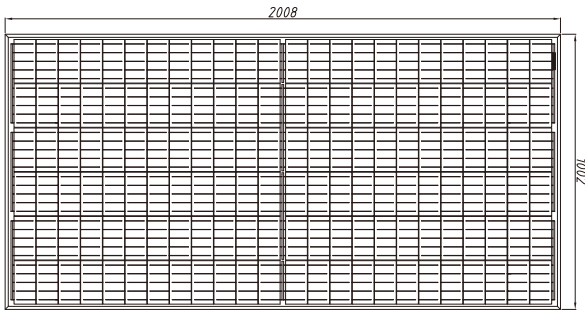
- Monitored and tested with strengthened quality control system
- PID Resistant
- 100% EL double inspection
- Positive tolerance guaranteed: 0+5W



12-year Product Warranty | **25-year** Linear Power Warranty



Module Dimension [mm]



Electrical Characteristics (STC*)

Power Class		395	400	405	410
Nominal Power (Pmax)	(W)	395	400	405	410
Voltage at Pmax (Vmp)	(V)	40.55	40.77	40.95	41.12
Current at Pmax (Imp)	(A)	9.74	9.81	9.89	9.97
Open Circuit Voltage (Voc)	(V)	48.37	48.55	48.73	48.91
Short Circuit Current (Isc)	(A)	10.56	10.64	10.71	10.79
Module Efficiency	(%)	19.63	19.88	20.13	20.38
Power Tolerance		0~+5W			

* Irradiance 1000W/m², Cell Temperature 25°C, Air Mass 1.5

Electrical Characteristics (NOCT*)

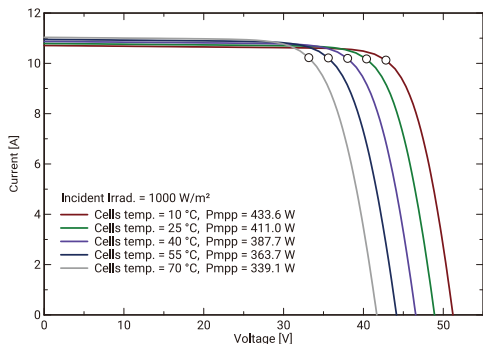
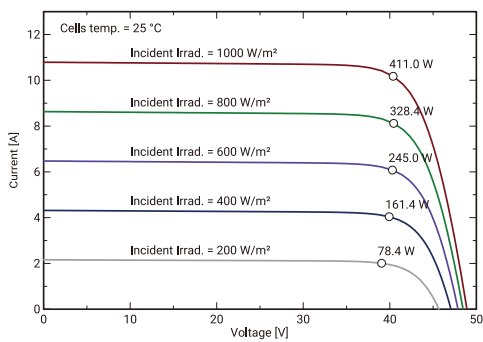
Power Class		395	400	405	410
Nominal Power (Pmax)	(W)	298	302	306	310
Voltage at Pmax (Vmp)	(V)	39.20	39.40	39.60	39.80
Current at Pmax (Imp)	(A)	7.60	7.66	7.72	7.78
Open Circuit Voltage (Voc)	(V)	47.20	47.50	47.80	48.10
Short Circuit Current (Isc)	(A)	8.19	8.26	8.33	8.41

*Irradiance of 800W/m², Ambient Temperature 20°C, Wind Speed 1m/s

Mechanical Characteristics

Number of Cells	144 cells (6x24)
Cell Type	Mono PERC 158.75mm x 79.38mm
Dimensions of Module L*W*H (mm)	2008x1002x40mm
Weight (kg)	23.0
Glass	3.2mm AR Coating Tempered Glass
Frame	Anodized aluminium alloy
J-Box	IP68, 3 Bypass Diodes
Cable	12AWG, length: 300mm(Portrait) 1200mm (landscape) or customized length
Wind/ Snow Load	2400Pa/ 5400Pa
Connector	Staubli EVO2 or Compatible

Current-Voltage Curve, WP-410M/G3-72H-V



Temperature Characteristics

Nominal Operation Cell Temperature (NOCT)	41±2°C
Temperature Coefficient of Isc	+0.05%/°C
Temperature Coefficient of Voc	-0.31%/°C
Temperature Coefficient of Pmax	-0.38%/°C

Design Characteristics

Operating Temperature	-40~+85°C
Maximum System Voltage	1500V DC (UL)
Max Series Fuse Rating	20A
Module Fire Performance	Type 1

Packing Information

Module per Pallet	27 pieces
Module per 40' container	594 pieces

*Wattpower reserves the right to make any adjustment to the information described herein at any time without notice. Please always obtain the most recent version of the datasheet which shall be duly incorporated into the binding contract made by the parties governing all transactions related to the purchase and sale of the products described herein.

